

# COMPANION<sup>®</sup>

TRUSTED SINCE 1941

## ROVER LITHIUM

100AH POWER STATION



## OWNERS MANUAL

Part No. 10000588

### IMPORTANT: PRINT SPECS

NUMBER OF COLOURS TO PRINT **4**

**CYAN** **MAGENTA** **YELLOW** **BLACK**

### DO NOT ALTER ARTWORK/DIELINE

DO NOT CHANGE DIELINE OR ARTWORK  
不要更改DIELINE或ARTWORK

PLEASE PROVIDE PAPER PROOF  
请提供纸张证明

**IMPORTANT: PLEASE READ, UNDERSTAND AND FOLLOW THIS INSTRUCTION MANUAL CAREFULLY BEFORE FIRST USE, AND STORE IT IN A SAFE PLACE FOR FUTURE REFERENCE.**

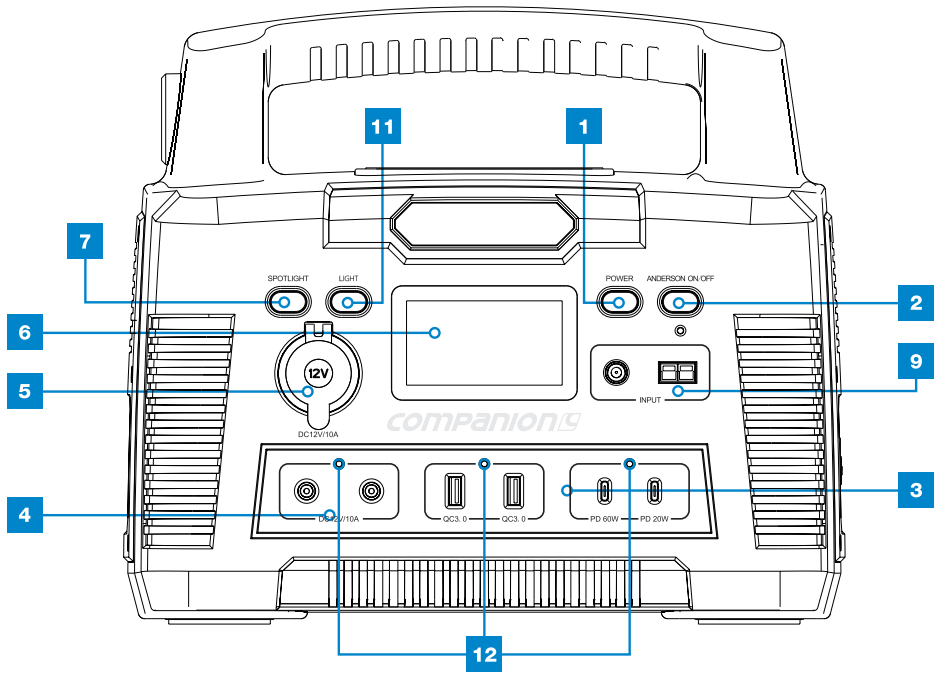
## SAFETY INFORMATION

- Follow the instructions within this manual carefully as to not cause harm to yourself or others
- To be repaired by qualified persons only – contact Customer Service on 1300 555 197
- This appliance is not a toy, when used by or near children, close attention is necessary, and store this appliance in a safe place, out of the reach of children
- Children should be supervised to ensure that they do not play with the appliance
- Don't use the appliance if it has fallen or appears to be damaged
- If the supply cord is damaged, it must be replaced by the manufacturer, its service agent or similarly qualified persons in order to avoid a hazard
- This product must not be used by persons (including children) with reduced physical or mental capabilities. Also, this product is not to be used by a person who has a lack of knowledge or experience with this type of product, unless they are being supervised by a person who is competent in the safe use of this type of product
- The manufacturer accepts no liability for damage in the following cases:
  - Damage to the product resulting from mechanical influences and incorrect connection voltage
  - Alterations to the product without express permission from the manufacturer
  - Used for purposes other than those described in the operating manual
- Never expose the power station to rain, water, snow or excessive moisture
- When charging the power station, DO NOT expose to open flame or cigarettes
- If rust, peculiar odours, overheating or other abnormal circumstances are observed, stop using the unit immediately and contact the dealer

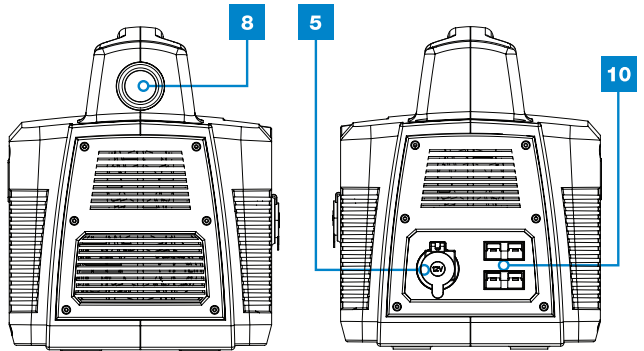
## GENERAL SAFETY

- Only use the device as intended
- DO NOT insert foreign objects into the input/output ports
- DO NOT attempt to open, repair or replace the internal battery or any parts
- DO NOT pull on the cords to unplug input/output power from the device
- Disconnect the device from all power when cleaning
- Store the device in a dry cool place
- Make sure the unit is properly secured when transporting in a motor vehicle
- Only charge, use and store the unit within an ambient temperature of 0 to 40 degrees
- Make sure the device you are connecting is switched off before you connect it
- Switch the unit off immediately if it has accidentally fallen, been dropped or was exposed to vibrations
- DO NOT move the unit if it is being charged or in use
- DO NOT operate the power station above the specified input voltage
- DO NOT use the power station if it is not functioning correctly
- Before using for the first time, charge your power station using one of the methods described in this manual
- The best thing for any battery is to use it. Don't leave the battery sitting without being charged for extended periods of time. If you will be storing the unit without a charger, make sure it's fully charged before storing
- DO NOT Operate or store in direct sunlight it could cause the unit to overheat
- Do not expose to water/rain

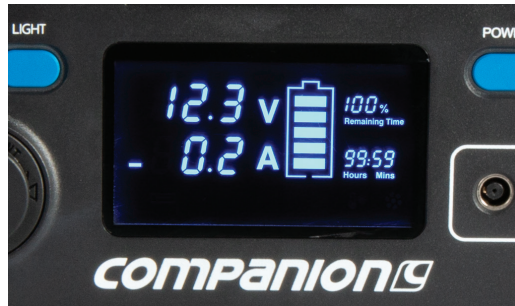
## UNDERSTANDING YOUR APPLIANCE



1. ON/OFF POWER BUTTON
2. ANDERSON OUTPUT ON/OFF
3. 2 X USB OUTPUT, 2 X USB C OUTPUT
4. 2 X DC525 OUTPUT
5. 12V CIGARETTE SOCKET OUTPUT
6. LCD DISPLAY
7. LED LIGHT POWER BUTTON
8. LED LIGHT
9. DC, AC OR SOLAR INPUT
10. ANDERSON OUTPUT (50A CONNECTOR)
11. AREA LIGHT POWER BUTTON
12. OUTPUT LED INDICATOR LIGHTS



## UNDERSTANDING THE LCD DISPLAY



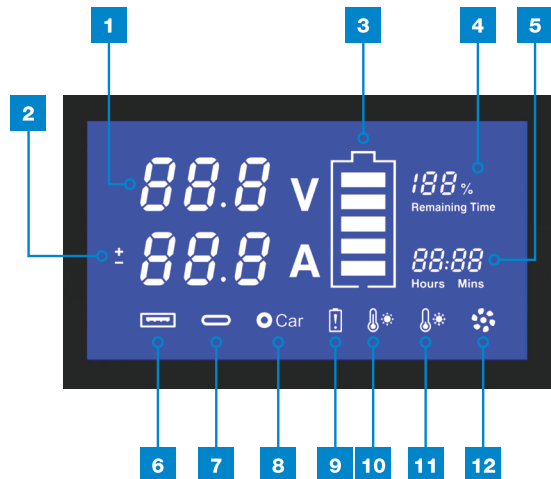
The LCD display will show the total input/output in amps and the remaining time to either charge or discharge. What the LCD screen displays depends on the Input and Output. For example, if two phones are attached, the screen will show the discharge of power being drawn by the phones.

If an AC Adaptor, Solar or DC charger is also connected to the input, the screen will display the net amount of amps and the current charging status.

Note: The screen will always show the net amount, you can not scroll between input/output, eg. If you have 8 amps of solar coming in & a fridge is drawing 5 amps out the display will show +3 amps

NOTE: THE COOLING FAN WILL OPERATE WHENEVER THERE IS MORE THAT 2 AMPS GOING OUT OR COMING IN OR THE UNIT TEMP GETS HIGHER THAN 40 DEGREES TO KEEP ELECTRONICS & BATTERY COOL

1. VOLTAGE IN BATTERY
2. AMPS IN/OUT INSTANT READING (+ AVERAGE CHARGE IN - AVERAGE CHARGE OUT)
3. BATTERY LEVEL GAUGE INDICATOR
4. TIME % REMAINING TO CHARGE/DISCHARGE AT CURRENT CONDITIONS
5. TIME REMAINING IN HOURS/MINUTES TO CHARGE/DISCHARGE AT CURRENT CONDITIONS
6. USB IN USE WHEN ILLUMINATED
7. USB C IN USE WHEN ILLUMINATED
8. CIGARETTE OUTLET IN USE WHEN ILLUMINATED
9. ERROR - UNPLUG EVERYTHING & TURN OFF TO RESET
10. OVERTEMP WARNING - UNPLUG AND PLACE IN COOL AREA
11. UNDERTEMP WARNING - PLACE UNIT IN WARMER LOCATION
12. COOLING FAN SYMBOL - ILLUMINATED WHEN ON



## TO RECHARGE BATTERY

The Rover Li 100 uses a Lithium Ion Phosphate battery. There are three ways the battery can be charged - DC Cable, 240V AC Adaptor or Solar Panel. The power station can only be charged using one of the above options as all three use the one input.

**NOTE: Fully charge the battery at least every six months. Overloading the battery or storing it for too long without charging it may cause permanent damage to the battery.**

**NOTE: You can charge & use the powerstation to power devices at the same time - this display will show all relevant information**

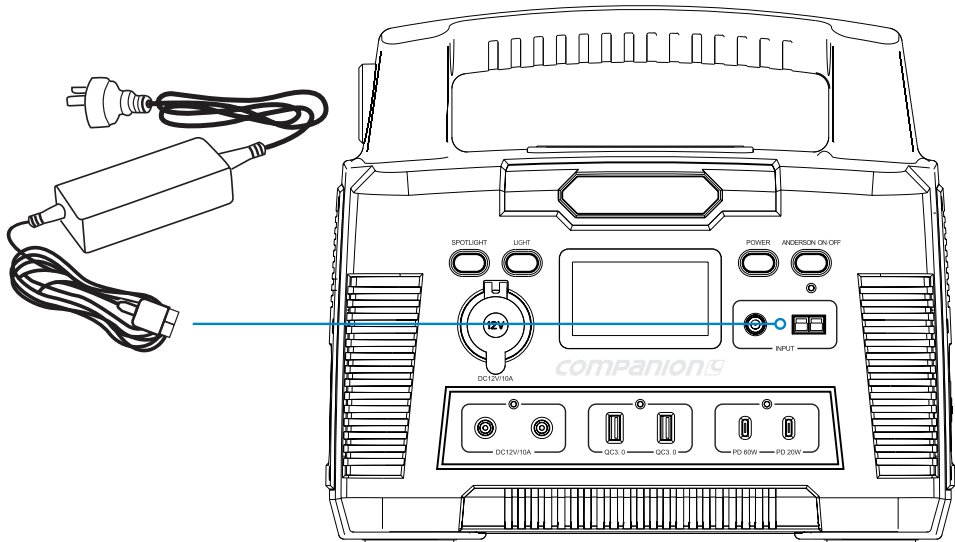
### CHARGING BY 240V AC ADAPTOR (INCLUDED)

**Step 1.** Turn on the power station by holding the power button for one second.

**Step 2.** Insert the adaptor plug into the input socket on the side of the power station and plug it in to mains 240V AC. Turn on the wall plug.

**Step 3.** The power station will automatically begin to charge, the battery status will be shown on the LCD display and will also show the minutes remaining until fully charged. Note: The LCD display will show the net input/output as described in the “Understanding your LCD Display” section of the manual.

**Step 4.** The power station will automatically turn off when it is fully charged. Estimated charge time using the 240V AC adaptor is approximately 10-12 hours.



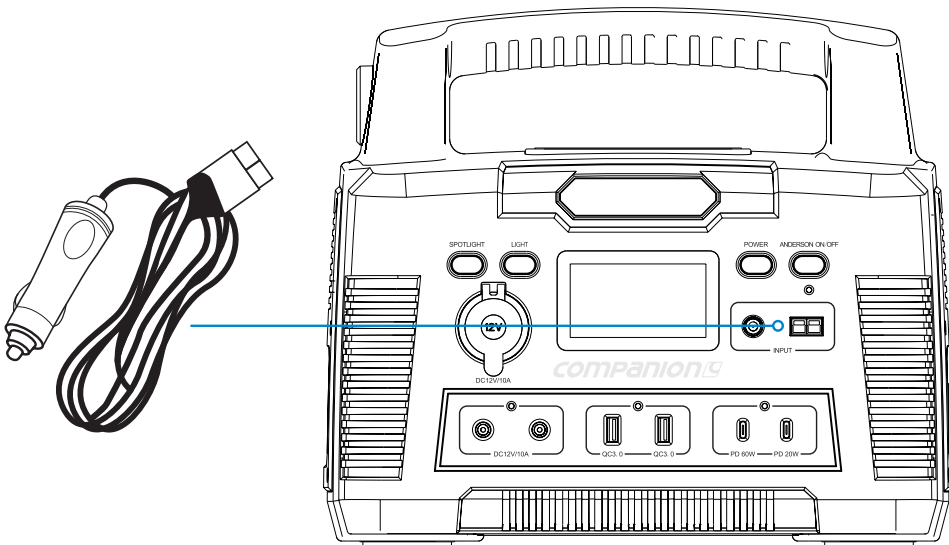
## CHARGING BY DC CABLE (INCLUDED)

**Step 1.** Turn on the power station by holding the power button for one second.

**Step 2.** Insert the adaptor plug into the input socket on the side of the power station and the DC charger to your power source.

**Step 3.** The power station will automatically begin to charge. The battery status will be shown on the LCD display and will also show the minutes remaining until fully charged. **Note:** The LCD display will show the total input/output as described in the “Understanding your LCD Display” section of the manual

**Note:** Charge time will vary based on the DC power source. Most vehicles built after 2012 will have smart alternators fitted. They will prevent the powerpack charging fully unless they are bypassed or a DC to DC charger is fitted. Please consult vehicle manufacturer or auto electrician for further advice.



### Charging by Solar Panel (not included)

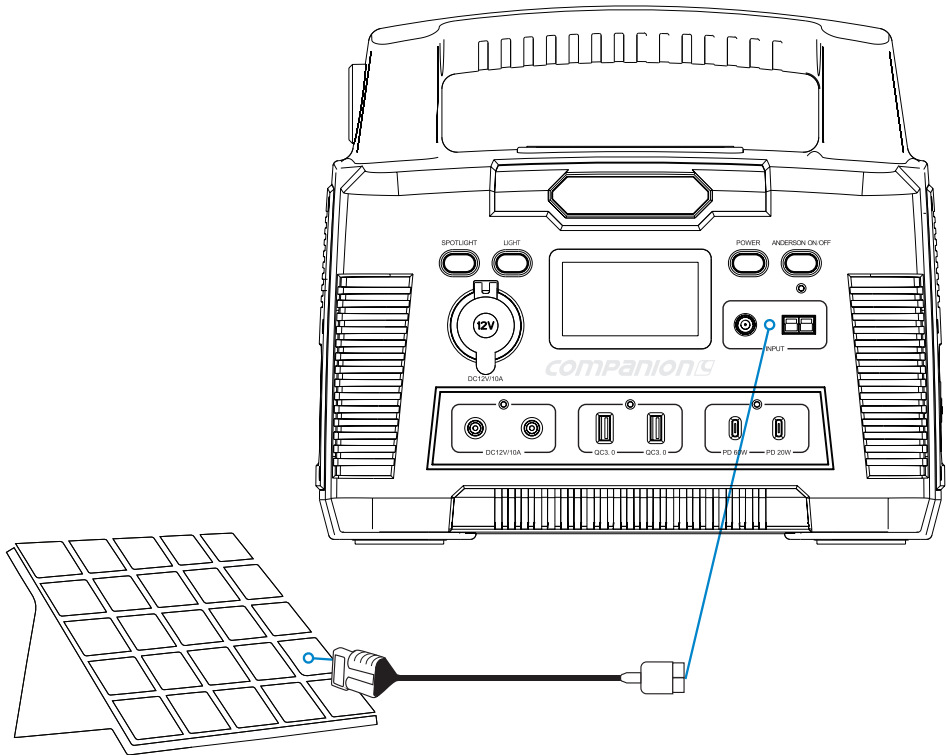
The power station has a built in MPPT controller so you do not need to use a solar controller. The solar panel **MUST** be connected directly to the power station with **unregulated solar**.

**Step 1.** Turn on the power station by holding the power button for one second.

**Step 2.** Insert the adaptor plug into the input socket on the front of the power station and other lead to your solar panel Anderson connector.

**Step 3.** The power station will automatically begin to charge. The battery status will be shown on the LCD display and will also show the minutes remaining until fully charged.

**Note:** The charging input is **10 Amp max**, so a 200W panel would charge the battery in approx. 8-10 hours. You will not cause any damage by having extra solar attached - the controller will only ever allow 10amps max into battery this is perfect for a 200W solar panel in full sun.





## POWERING APPLIANCES

The power station consists of multiple outputs that can be used at the same time.

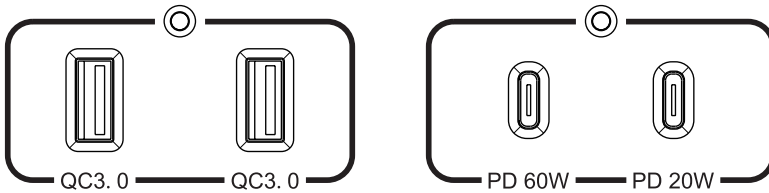
**Step 1.** Turn on the power station by holding the power button for one second.

**Step 2.** Once the power is turned on the three green LED power indicators above the USB & DC Jack outlets will be illuminated to indicate power is available to use at all outlets

**Step 3.** If using the anderson output press the “Anderson On/Off” button for one second.

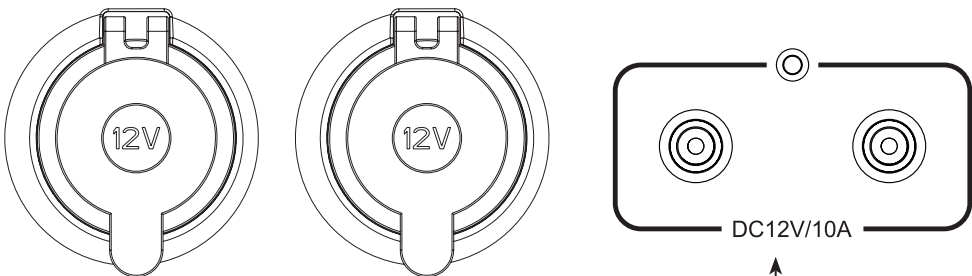
### USB Outputs

There are two USB outlets with 2 Amp output per port and two USB Type C with 3 Amp maximum output. To use this output you need to turn on the power station by pressing the “Power” button for one second to activate the power outputs. The green power output lights above sockets will come on when power is turned on. Once a device is connected the relevant symbol on the display will illuminate to show outlet in use.



### DC Outputs

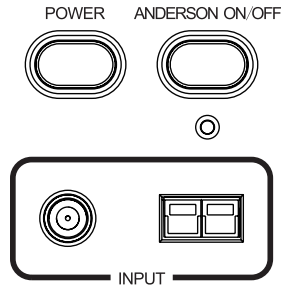
There are two different DC Outputs - 2 x 12V Cigarette sockets 10A, 2 x DC5525 sockets 10A. To use this output you need to turn on the power station by pressing the “Power” button for one second to activate the power outputs. When you connect a device to the DC outlets the CAR symbol will illuminate on the display.



NOTE: There are 2x DC5521 adaptors included to allow use of most LED strip lighting directly from these DC jack outlets

## Anderson Output

There are two Anderson output located on the side of the power station which uses the 50A connector. They have a maximum output of 10 Amps each. To use this output you need to turn on the power station by pressing the “Power” button for one second to activate the power outputs. Then press the “Anderson On/Off” button for one second until the green LED power indicator light is illuminated.



**Note:** The power station has the following protective functions - over temperature protection, under temperature protection, overvoltage protection, undervoltage protection, overcurrent protection, short circuit protection and incorrect polarity protection. If these are activated a warning will be displayed on the screen.

Remove all Inputs and Outputs and turn the power off and back on.

## LED Light

The power station has a useful LED torch light with three light functions.

To power on the LED torch light, press and hold the spotlight power button for three seconds. The light power button is located next to the light on the side of the power station.

To cycle through the available light functions (Solid, Slow Strobe, Fast Strobe), press the LED spotlight power button.

To turn the light off from any light function, press and hold the LED spotlight power button for three seconds and the light will switch off.

The powerstation has a 5W LED light for use for general lighting.

It can be turned on/off at the light button.

There is only on/off settings for the area light.

To turn on press light button for one second or until power LED comes on.

To turn off press and hold for three seconds or until light goes out.

## CLEANING INSTRUCTIONS

**Step 1.** Ensure the device is disconnected from the mains before performing any cleaning or device maintenance.

**Step 2.** DO NOT use sharp or hard objects, or cleaning agents to clean as these may damage the product.

**Step 3.** DO NOT use alcohol-based cleaning materials to clean the power station.

**Step 4.** Occasionally clean the product with a damp cloth.

## MAINTENANCE

Fully charge the battery at least every six months. Overloading the battery or storing it for too long without charging it may cause permanent damage to the battery.

For further information or assistance please contact Customer Service on 1300 555 197 or email: [CBservice@adventureoperations.com](mailto:CBservice@adventureoperations.com)

## DISPOSAL

Place the packaging material in the appropriate recycling waste bins wherever possible.

If you wish to finally dispose of the product, ask your local recycling centre or specialist dealer for details about how to do this in accordance with the applicable disposal regulations.

Do not dispose of any batteries with general household waste.

Return defective or used batteries to your retailer or dispose of them at collection points.

## TROUBLE SHOOTING

Situation	Probable Cause	Solution
Power outlets are not working	Check power station is turned on and relevant outlet power is turned on	Turn on the power outputs by pressing the “Power” button for 3 seconds after the power station is on. For Anderson output you will also need to press and hold the “Anderson On/Off” button for 3 seconds
Fridge connected but not running	Check power station is turned on	Turn power station on
	Check power station has sufficient charge	If low charge, charge the power station as per the user manual instructions
	Check the battery monitor on the fridge is set to Low or Medium battery monitor setting	Set fridge battery monitor to the Low or Medium setting
Solar not charging the power station	Check solar is connected correctly	Check all connections from the solar panel to the power station are secure
	Check solar panel is set up correctly	Point solar panels towards the sun. Make sure there is no inline controller/regulator before the power station
DC charger not working	Check the inline fuse	If fuse is broken replace with a 10A blade fuse
Temperature Warning Symbol is displayed	This will be caused by either over temperature, under temperature protection, overvoltage protection, undervoltage protection, overcurrent protection, short circuit protection or incorrect polarity protection	Remove all Inputs and Outputs and turn the power station off and back on. If the warning is still there – check the current temperature. The operating temperature should be between -10 and 40°. Depending on the temperature try moving to a cooler or warmer spot. Do not operate in direct sunlight.

## SPECIFICATIONS

<b>Part no.</b>	10000588
<b>Cell Chemistry</b>	LiFePO4
<b>Capacity</b>	100Ah (12.8V)
<b>Wh (Watt hours)</b>	1216Wh
<b>Lifecycles</b>	2000 cycles (80% Capacity afterwards)
<b>Shelf Life</b>	1 year
<b>Management System</b>	MPPT
<b>Solar Input</b>	18-20V 10A
<b>DC Charger</b>	12V 8A
<b>AC Charger</b>	24V 6.3A
<b>USB Output</b>	2 x USB 5V/9V 2A or 12V 1.5A
<b>USB Type C Output</b>	2 x 5V/9V/12V/15V/20V 3A
<b>Anderson Output</b>	2 x 50A Connector 12-14V 10A
<b>DC Outputs</b>	2 x Cigarette Socket 10A each 2 x DC5525 Jacks 10A (Total)
<b>LED Light Output</b>	3W Torch / 5W Area Light
<b>Charge Time</b>	10-14 Hours (from flat)
<b>Battery Protection</b>	Yes
<b>Ideal Operating Temp</b>	-10°C ~ 40°C
<b>Dimensions</b>	330 x 240 x 290 mm
<b>Weight</b>	10.8 kg
<b>Pack Contents</b>	1 x Rover Li 100 1 x DC Charge Cable 1 x AC Charge Cable 1 x 50A Anderson to 30A Anderson Powerpole Cable 2 x DC Jack Adaptors (DC5521)

**NOTES**

## WARRANTY POLICY

1. Products distributed by Adventure Operations Australia Pty Ltd and any of our subsidiaries come with guarantees that cannot be excluded under the Australian Consumer Law. You are entitled to a replacement or refund for a major failure and compensation for any other reasonably foreseeable loss or damage. You are also entitled to have the goods repaired or replaced if products fail to be of acceptable quality and the failure does not amount to a major failure.
2. In addition, we warrant that this product will be free from defects in materials and workmanship under normal use as described in the published product documentation for 2 years from the date of original purchase (Limited Warranty). This Limited Warranty is only valid and enforceable in Australia and will apply only if you have purchased the product from us or our authorised resellers.
3. To the extent permitted by the Australian Consumer Law and any applicable local law:
  - (a) our obligations under this Limited Warranty are limited to the repair, replacement or refund of covered parts that prove defective under normal use during the Limited Warranty and does not extend to any claim for damages that you or any other person may have for any loss (including without limitation consequential damages or loss of profit, freight/shipping or travel costs), or damage howsoever caused whether or not such loss or damage arises as a result of any defect in the product or from the failure or omission on our part to comply with any obligation at law;
  - (b) in replacing a defective product under the Limited Warranty, we may, at its discretion, substitute a model of equivalent nature where the exact model is unavailable;
  - (c) this Limited Warranty does not apply to damage caused by failure and damage caused by improper use and abuse, fair wear and tear, accidents, misuse (including failure to follow instructions regarding care and maintenance of the product), neglect, disassembly, alterations or external causes such as, but not limited to, water damage, exposure to sharp objects, exposure to excessive force, anomalies in the electrical current supplied to the product (if applicable), and extreme thermal or environmental conditions;
  - (d) we may elect, at our discretion and as an alternative to repairing or replacing a defective part to refund the cost of the relevant product upon it being returned to us; and
  - (e) this Limited Warranty does not extend to any products acquired for the purposes of re-supply, or for use in a manufacturing, or repair processes.
4. This warranty may be claimed by:
  - returning the product to its place of purchase, with a detailed proof-of-purchase clearly showing the date and detail of the purchase;
5. If you have any questions concerning this warranty policy, you may contact us in writing:  
Adventure Operations, 71 Charles Ulm Place, Eagle Farm, 4009 QLD, or by email: [service@adventureoperations.com](mailto:service@adventureoperations.com)  
or visit our website: [www.adventureoperations.com](http://www.adventureoperations.com)

TO THE EXTENT PERMITTED BY LAW, ADVENTURE OPERATIONS AUSTRALIA PTY LTD, ITS SUBSIDIARIES AND ITS VENDORS DISCLAIM ANY IMPLIED WARRANTIES OF MERCHANTABILITY OR FITNESS FOR A PARTICULAR PURPOSE OR ANY SIMILAR STANDARD IMPOSED BY APPLICABLE LEGISLATION AND ADVENTURE OPERATIONS AUSTRALIA PTY LTD AND ITS SUBSIDIARIES' RESPONSIBILITY TO REPAIR, REPLACE, OR OFFER A REFUND FOR DEFECTIVE PRODUCTS IS THE SOLE AND EXCLUSIVE REMEDY PROVIDED TO ITS CUSTOMERS UNDER THIS DOCUMENT.

WARRANTY - For details see [www.companionleisure.com.au/warranty](http://www.companionleisure.com.au/warranty)

Companion® is a registered trademark of  
**Primus Australia Pty Ltd**

Designed & Imported by:

**Adventure Trading Australia Pty Ltd**

71 Charles Ulm Place,  
Eagle Farm, QLD 4009  
AUSTRALIA



Made in China