



TENT OWNERS MANUAL

FAST FRAME 3 PERSON

BEFORE YOU BEGIN

- This tent requires a minimum of two people to set up.
- Read all the instructions before setting up your tent. Check parts list to ensure you have full contents.
- Find a flat area for your tent, free from rocks, potholes and branches.
- Ensure that you use all pegs, ropes and additional poles only as instructed.
- If conditions are windy, arrange tent to have narrowest side of tent facing into the wind.
- Keep away from open flames, **DO NOT USE** stoves or burning appliances inside the tent.

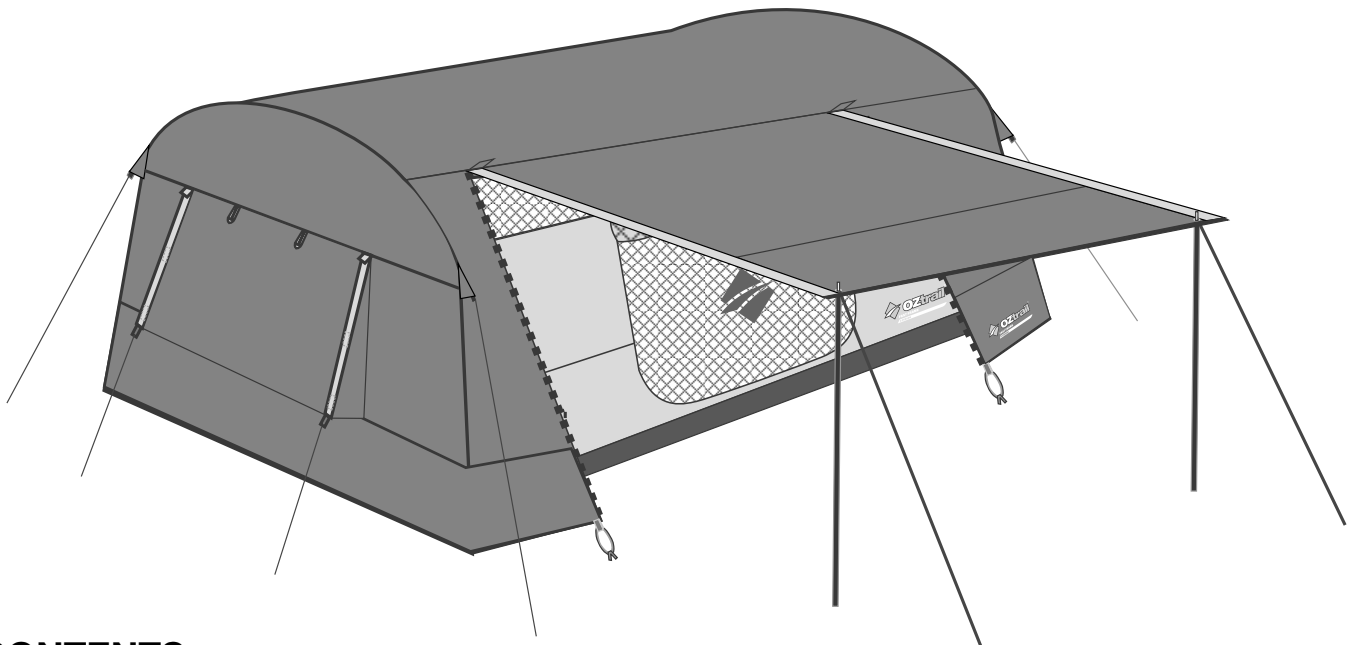
WARNING

AVOID CONTACT WITH OPEN FLAMES:

This tent is manufactured to meet CPAI-84 Fire Retardant standards. The fabric may burn if in continuous contact with open flame sources.

CONDENSATION IS NOT LEAKING:

Minimise condensation by ensuring your tent is well ventilated through windows, doors or vents.



CONTENTS

- Inner Tent x 1
- Rain Fly x 1
- Awning Poles x 2
- Pegs x 18
- Guy Ropes x 14

Steel Awning Pole x 2:



STORAGE

- To maximise the life of your tent, always ensure it is clean of dirt and debris.
- Never store if wet or damp. Consider airing your tent at home after your trip and allow to completely dry before storing between trips.
- Continued exposure to sunlight can degrade the polyesters used to make tents. Always store your tent in its storage bag, away from direct light in a cool, dry space.

SPARE PARTS AND ASSISTANCE - For details see www.oztrail.com.au

WARRANTY - For details see www.oztrail.com.au/warranty

OZtrail® is a registered trademark of
Adventure Trading Australia Pty Ltd

Designed by:
Adventure Trading Australia Pty Ltd
71 Charles Ulm Place,
Eagle Farm, QLD 4009
AUSTRALIA



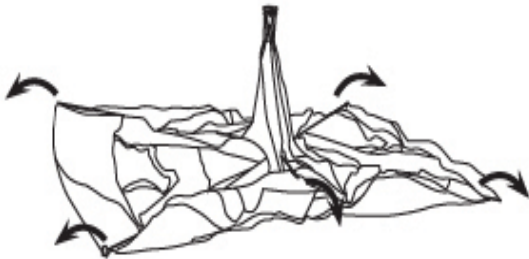
Made in Bangladesh

SEE OTHER SIDE FOR PITCHING INSTRUCTIONS

TENT OWNERS MANUAL

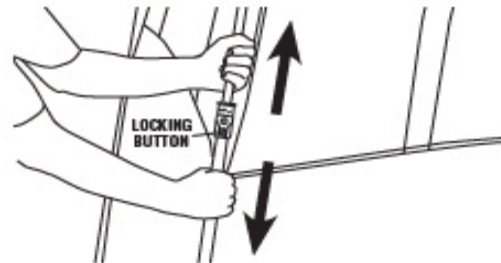
FAST FRAME 3 PERSON

STEP 1: LAYOUT THE INNER TENT



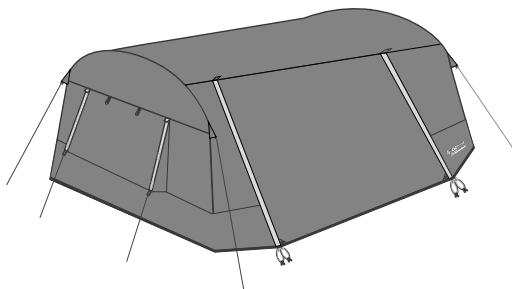
- Unfold the inner tent and outstretch over a flat, clear area
- Arrange the door so it is facing your desired area for entry & exit

STEP 2: ERECT THE INNER TENT FRAME



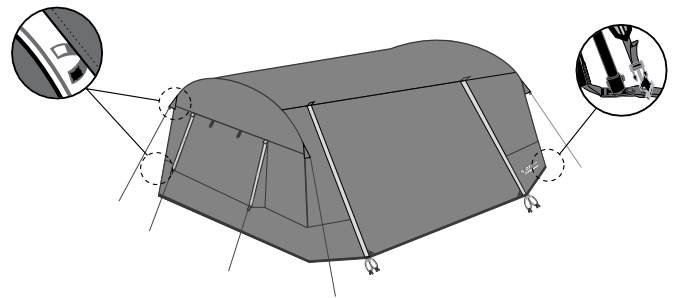
- Locate the lower leg section of the frame
- Raise to near vertical orientation
- Extend middle roof pole until the locking button clicks into the locked position
- Extend the leg section until the locking button clicks into the locked position, repeat on other legs

STEP 3: PUT ON THE FLY



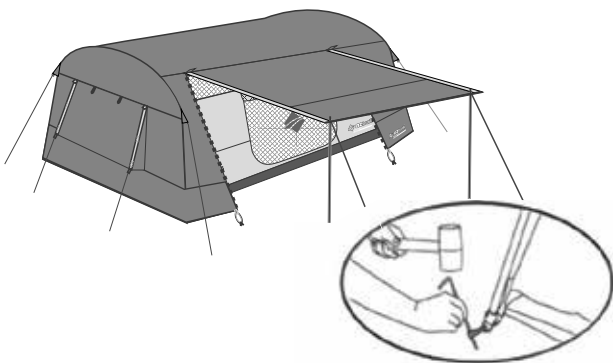
- Place rain fly over the inner tent

STEP 4: SECURE FLY TO INNER TENT



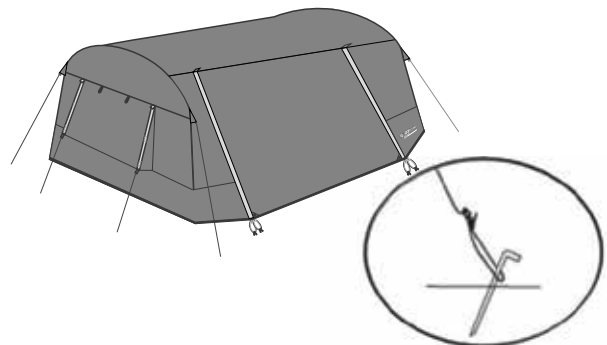
- Secure rain fly to tent with Velcro tabs located on underside of rain fly
- Connect the fly to the tent using the buckles on the tent corners

STEP 5: ASSEMBLE THE AWNINGS



- Use the awning poles and additional ropes to suspend the door panels overhead
- Peg out the tent and fly around the perimeter

STEP 6: ALWAYS PEG OUT AND USE GUY ROPES



- In windy and rainy conditions, awnings must be dismantled, and doors must be closed, and guy ropes must be set out

PACK UP:

TO TAKE DOWN THE TENT, REVERSE THE PREVIOUS STEPS