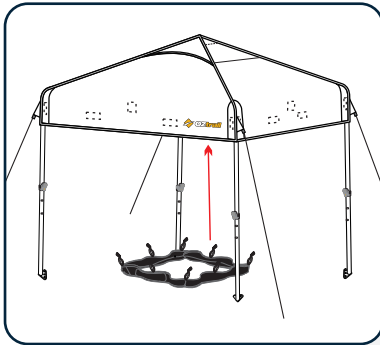


DELUXE GAZEBO BLOCKOUT ENSUITE INSTALLATION STEPS

1

CHECK GAZEBO IS SECURE AND LAY THE ENSUITE OUT

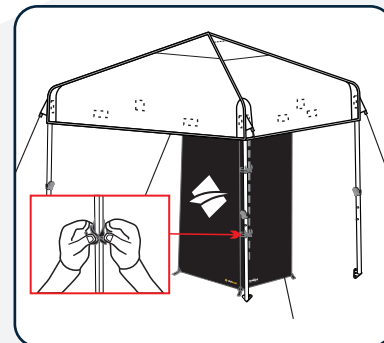
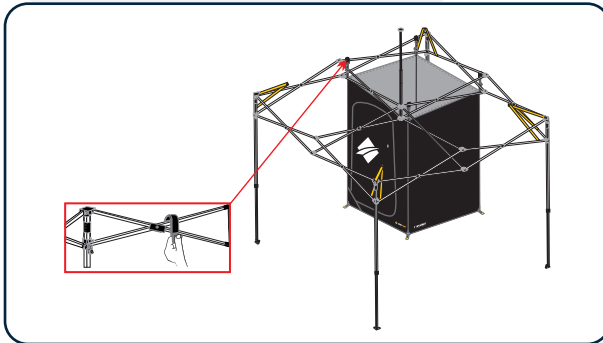
Check that your gazebo is properly secured with terrain appropriate pegs or weights before attaching the Deluxe Gazebo BlockOut Ensuite. Lay the ensuite out with the door facing the inside of the gazebo.



2

ATTACH ENSUITE TO GAZEBO

Attach the ensuite to the gazebo roof struts with the plastic clips without adjusting the webbing straps too tight. Do note - the clips need to be pressed all the way in until you hear a click or see the clip is securely attached. Then secure the ensuite to the gazebo corner leg with the hook and loop tabs found on the corner.



3

ADJUST WEBBING STRAPS AND SECURE TO GROUND

Secure the ensuite to the ground with the supplied pegs. Then adjust the webbing straps on the roof to ensure the ensuite is taut. Please note - you may need to purchase terrain appropriate pegs if required. If you're using the ensuite on uneven ground, this may result in having to adjust the webbing straps to different lengths and not being able to have the ensuite entirely taut. This won't impact the performance of the product.

