



LightRanger™ 2000

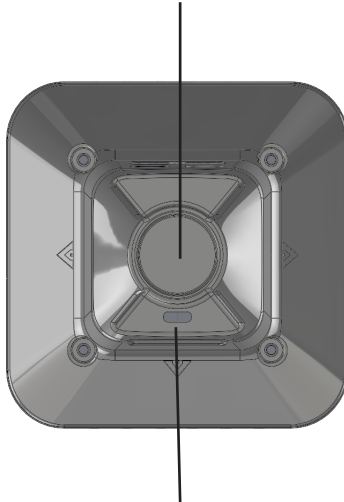
LED Telescoping Lantern

360 degree LED area lighting



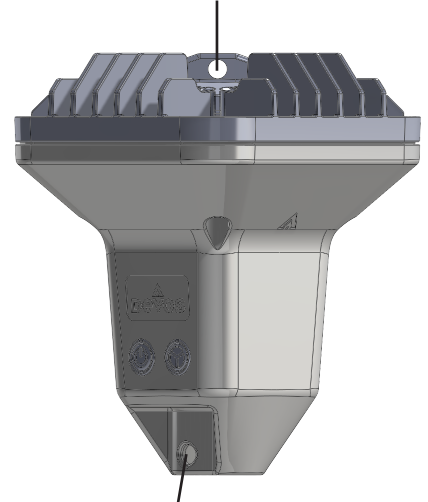
Power button Color button

Pole receiver



USB-C charging port power in and power out to charge other devices

Accessory and Hang point



Snap button hole to hold light on pole

Power Button Function	
Power On	Push once - full power
	Push twice - full power two sides
	Push three times - full power one side
	Push four times - off
Dimmer	With power on (any side) hold for 3 seconds – Dims brightness down, then up
Power Off	If light is on (3 seconds or more) push once – Off
Power Level	If light is off, hold for 3 seconds – Blinking LED indicates battery level with color. Red: 0-33% Yellow: 34-66% Green: 67-95% Solid Green: 100%

Color Button Function	Push to change color to White, Amber, Red
-----------------------	---

Model

DLP2000
Patent Pending
Designed in Utah
Made in China



Power

Input: 5V3A 9V3A 12V2.5A 20V1.5V
Output: 5V3A 9V3A 12V2.5A 20V1.5V
Li-ion battery 7.4V 9,000 mAh - 67 watts
Store dry at room temperature and above 50% charge for longest life
Charge temperature 32-113F degrees
Operating temperature range -4 to 113F

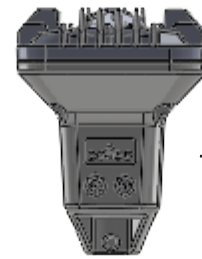
Warning

1. Do not submerge in water
2. Unplug when indicator light is solid green.
3. Contains Li-ion battery. Must be disposed of properly
4. Do not attempt repair or service
5. Do not operate in temperatures above 113F
6. Do not subject batteries to temperatures above 140F

Bluetooth Pairing Instructions.

1. Download the Devos app from iOS or Android app store. Open the app.
2. Turn on the LightRanger.
3. Pair light in the app. (App scans for available lights.) To add, select & name each light.
4. You can now control the LightRanger 2000's brightness, direction, and color. You can also see battery level.

DevosOutdoor.com/pages/warranty
DevosOutdoor.com/pages/patents



Removable
— 360 Degree
LED Lantern



— Telescoping Pole

Quick-release
Adjustment
Clamps



— Tripod



Tripod Leg Stakes 3